

ISS360

COMPACT IMAGING SONAR



Impact Subsea are proud to present the world's most compact imaging sonar - the ISS360.

Optionally available with integrated Pitch & Roll.

Utilising a broadband composite transducer together with an advanced digital acoustic engine provides excellent range capability and image clarity.

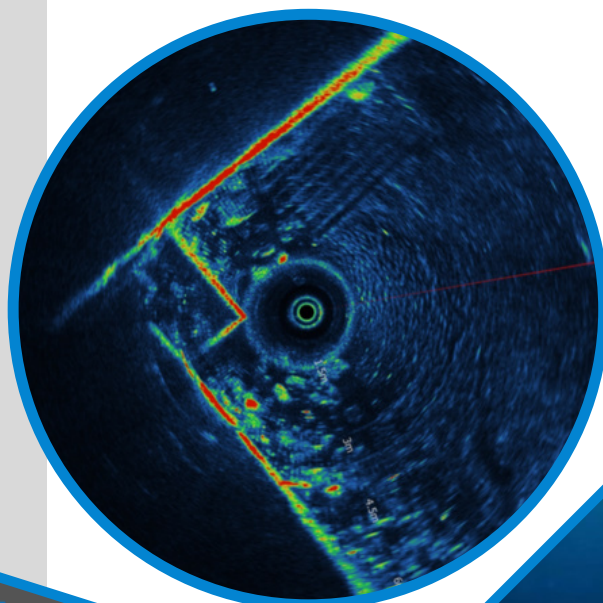
For applications where Sonar Imaging, Pitch & Roll are required; all can be provided from a single device.

The use of Compressed High Intensity Radar Pulse (CHIRP) acoustic signalling enables a significant increase in range resolution while maintaining an excellent range capability.

FEATURES BENEFITS

90 Meter Range	Long range imaging.
6,000m & 4,000m Depth Rating	Ideal for shallow and deep water.
Pitch & Roll*	Provides Pitch & Roll to 0.2° accuracy.
Small Form Factor	Smallest Imaging Sonar available.
Broadband Transducer	Excellent image quality & range.
No Slip Rings	No components to wear.

Provided in a highly robust Titanium housing. The unit can be supplied without pitch and roll. Alternative OEM configurations are available upon request.



APPLICATIONS
ROV & AUV Navigation
Target Identification
Diver Navigation
Port Surveillance
Motion Reference
Search & Recovery

ImpactSubsea

www.impactsubsea.com

ISS360

COMPACT IMAGING SONAR



ACOUSTIC

Frequency	700kHz Centre 650 to 750kHz Standard Bandwidth
Range	0.15 to 90 meters (4,000m rated) 0.15 to 80 meters (6,000m rated)
Resolution	7.5mm (100kHz CHIRP)
Beam Angle	23° Vertical at 700kHz 2.2° Horizontal at 700kHz
Signalling (Selectable)	CHIRP & CW
Step Size (Selectable)	0.225°, 0.45°, 0.9°, 1.8°, 3.6° & 7.2°
Scan Angle	360° Continuous or Sector Scan

COMMS & POWER

Digital Protocol	RS232, RS485 & Ethernet
Input Voltage	12 to 65V DC
Power Standby	110mA @ 24V DC
Power Scanning ¹	150mA @ 24V DC

PHYSICAL

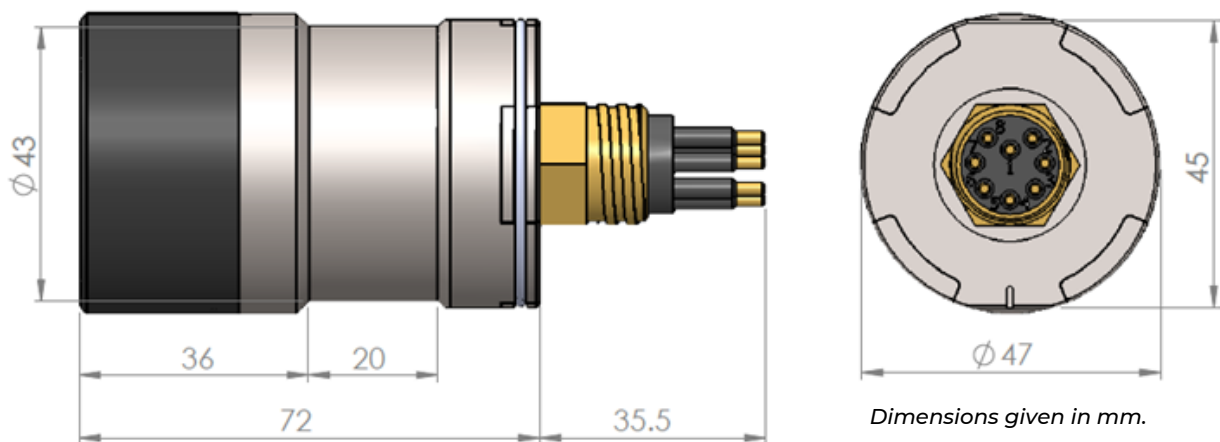
Depth Rating	4,000m & 6,000m
Temperature	-10 to 40°C Operating -20 to 60°C Storage
Connector	Subconn MCBH8M-SS <i>Other options available</i>
Weight <i>Air/Fresh water</i>	0.38/0.3kg (4,000m) 0.37/0.3kg (6,000m)

ATTITUDE*

Pitch	± 90°
Roll	± 180°
Accuracy	0.2°
Resolution	0.1°

CONTACT US

sales@impactsubsea.co.uk
+44 (0) 1224 460 850



* Optional

¹ Based on maximum power level and scanning speed.

Specifications subject to change in line with product enhancements.
0000.1911 | Rev. 1.8

ImpactSubsea

www.impactsubsea.com