

# ISD4000

## DEPTH & TEMPERATURE



Impact Subsea are proud to present the ground breaking ISD4000 family of depth sensors.

Compact, lightweight and highly robust, the ISD4000 is ideal for ROV, AUV and other underwater Depth and Temperature measurement applications with optional integrated Attitude and Heading Reference System (AHRS).

The ISD4000 utilises the latest in sensing technology to provide a Depth accuracy of 0.01% FS and Temperature accuracy to 0.01°C.

With an optional integrated AHRS, the ISD4000 provides a clear understanding of the position of the sensor at all times - ideal for asset deployment monitoring.

### FEATURES BENEFITS

±0.01% FS Depth Survey Grade Depth accuracy.

0.01°C Accuracy Survey grade temperature sensor.

Integrated AHRS\* Provides Heading to ±0.5° Pitch and Roll to 0.2° accuracy.

Maintenance Free Non-block pressure port.

Titanium or Acetal Housing Robust and long lasting.

Emulate Any Device Direct replacement of existing equipment.

*Provided in a highly robust Titanium or Black Acetal housing. The sensor can be provided without the AHRS. Alternative OEM configurations are available upon request.*



### APPLICATIONS

- Pipeline Surveys
- Real Time Depth
- Motion Reference
- Asset Deployment
- Echosounder Surveys
- ROV & AUV Depth Sensor
- Temperature Measurement

# ISD4000

## DEPTH & TEMPERATURE



### DEPTH

Accuracy	± 0.01% Full Scale
Resolution	0.001% Full Scale
Pressure Range	10, 30, 50, 100, 300, 400 or 600 Bar
Type	Temperature Compensated Piezo-Resistive

### TEMPERATURE

Accuracy	0.01°C
Resolution	0.001°C

### COMMS & POWER

Digital Protocol	RS232 & RS485
Data Rate	4800 to 115,200 baud
Data	Continuous or on demand
Data Rate	Up to 100Hz
Input Voltage	7 to 32V DC
Power	<30mA @ 24V DC

### PHYSICAL

Depth Rating	6,000m (Titanium) 500m (Acetal)
Temperature	-5 to 20°C Calibrated -10 to 60°C Operation -20 to 70°C Storage
Connector	Subconn MCBH8M-SS <i>Other options available</i>
Weight <i>Air/Fresh water</i>	0.42/0.28kg (Titanium) 0.20/0.10kg (Acetal)

### ATTITUDE\*

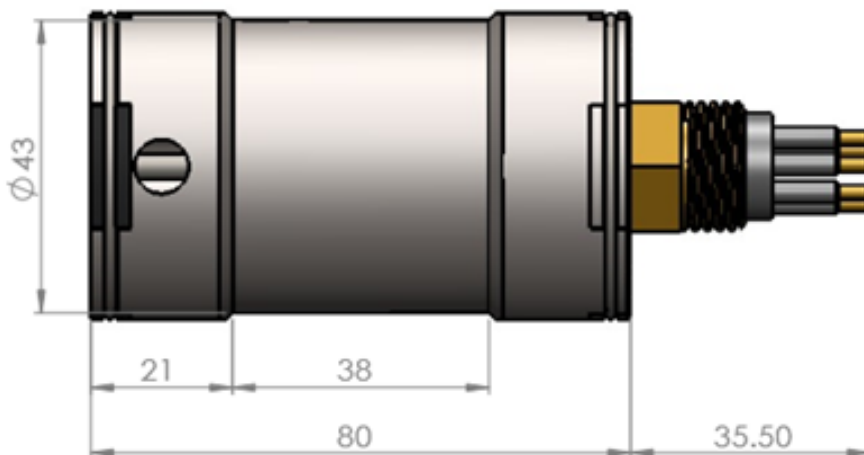
Pitch	± 90°
Roll	± 180°
Accuracy	0.2°
Resolution	0.1°

### HEADING\*

Accuracy	± 0.5°
Resolution	0.1°

## CONTACT US

sales@impactsubsea.co.uk  
+44 (0) 1224 460 850



*Dimensions given in mm.*

\* Optional

Specifications subject to change in line with product enhancements.  
0000.1908 | Rev. 1.9

ImpactSubsea

www.impactsubsea.com